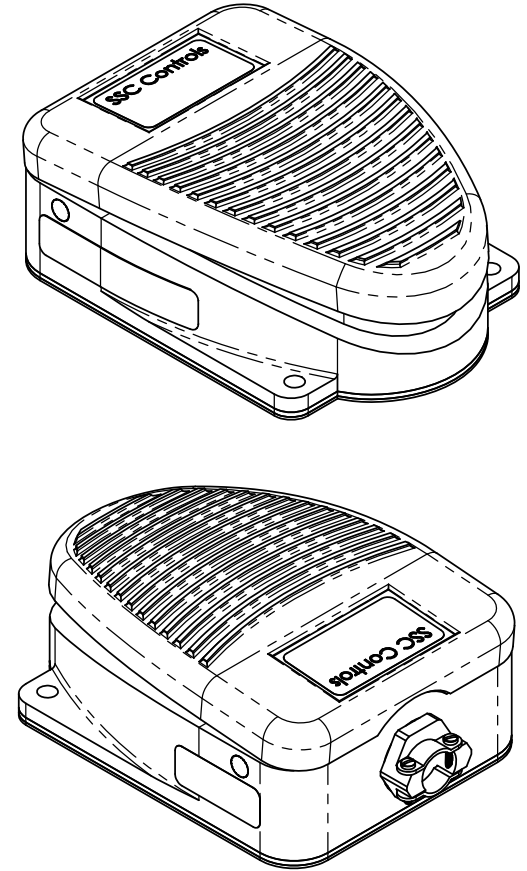
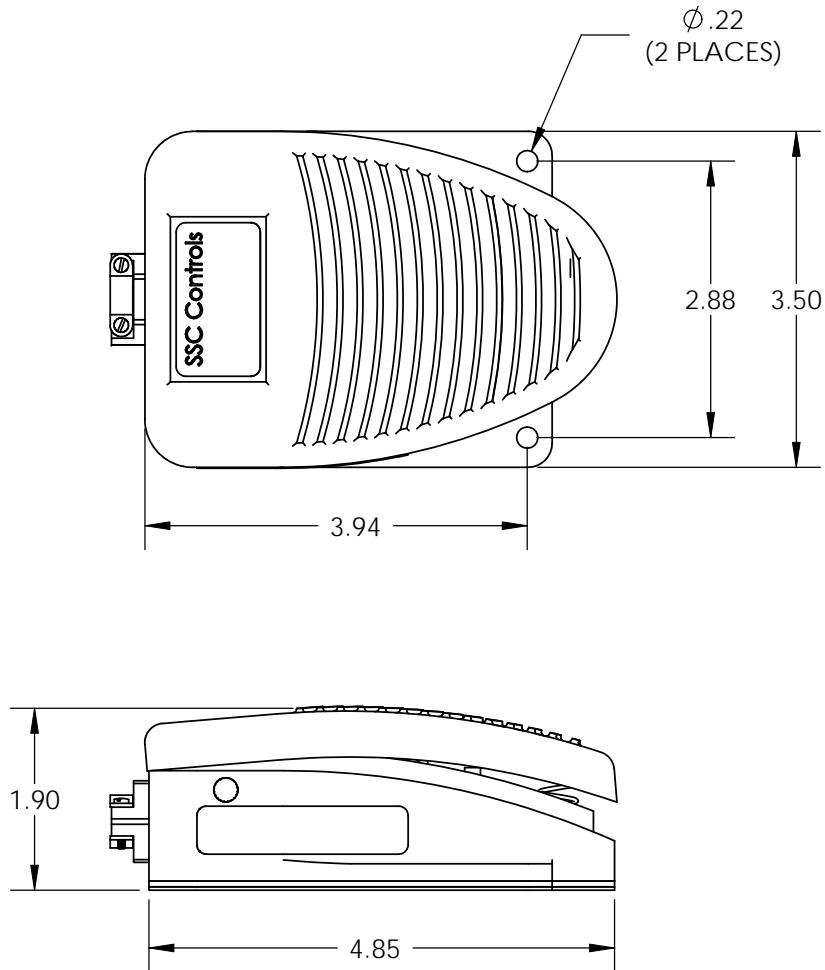


THE INFORMATION CONTAINED IN THIS DRAWING IS THE SOLE PROPERTY OF THE SSC CONTROLS COMPANY AND IS NOT TO BE USED, REPRODUCED, OR DISCLOSED WITHOUT THE EXPRESS WRITTEN PERMISSION OF THE SSC CONTROLS COMPANY.



WEIGHT: 2.1 POUNDS
NEMA/CSA/UL ENCLOSURE TYPE 1

ADJUSTABLE STRAIN RELIEF FITS .23" TO .60" CABLE DIA.

NOTE: DIMENSIONS ARE FOR REFERENCE ONLY.

The SSC Controls Company

8909 EAST AVENUE
MENTOR, OHIO, USA 44060

UNLESS OTHERWISE SPECIFIED,
DIMENSIONS ARE IN INCHES
AND TOLERANCES ARE AS FOLLOWS:

FOR 2 DECIMAL PLACES: $\pm .02$
FOR 3 DECIMAL PLACES: $\pm .002$
FOR ANGLES: $\pm .5$ OF A DEGREE

DRAWING INFORMATION

DRAWN BY: N/A

CHECKED BY: N/A

DATE: 7/14/12

SCALE: 1:2

DRAWING NAME:

**F-SERIES
EXTERIOR DIMENSIONS**

DRAWING NUMBER:

N/A