



THE SSC CONTROLS COMPANY

THE FOOT SWITCH EXPERTS®

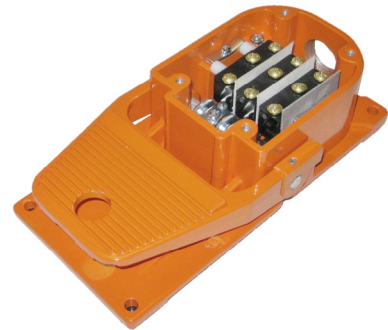
Product Information Sheet

G503 Triple Switch (G-Series)

The G503 foot switch contains three switches inside each unit, making it ideal for switching three circuits. The design features precise switching action, rugged die-cast aluminum construction, and an indoor / outdoor enclosure rating when properly connected.

Design features:

- Includes three switches in each unit.
- Heavy-duty all-aluminum construction for industrial environments will not rust or easily break.
- 3/4"-14 N.P.T. threaded conduit entry.
- Powder-painted Safety Orange finish.
- 3- or 4-point mounting with optional 3M® bumper feet.
- Oversized guard opening (5.5"H x 6"W).



Quality features:

- Quality system certified to ISO 9001.
- Includes a 1-year warranty on parts and labor.
- Made in USA of imported and domestic components.



Dimensions (L x W x H): 9.2" x 6.2" x 5.5"

Weight: 5 pounds

Enclosure: IP-56; UL Type 2, 4 & 13

Finish: powder paint, safety orange



Warning: To avoid personal injury, do not use foot switches on machinery lacking effective point-of-operation safeguards. Disconnect input power before installation or maintenance.

Model	Action*	Switches	Stages	Contacts, per Switch	Rating	Wiring Diagram (TPDT)
G503-MO	Momentary	3	1	SPDT	20 A, 125/250 VAC	
G503-MA	Maintained	3	1	SPDT	1 HP, 125 VAC	
G503-AT	Anti-Trip	3	1	SPDT	2 HP, 250 VAC	
G503-MO-2S	Momentary	3	2	SPDT	.5 A, 125 VDC	
G503-AT-2S	Anti-Trip	3	2	SPDT	.25 A, 250 VDC 10 A, 125 VAC "L"	

*Available with 3 action types: Momentary (press and hold to turn on, release to turn off), Maintained (press to turn on, push latch to turn off), and Anti-Trip (push forward safety latch before pressing down).

The SSC Controls Company
8909 East Avenue Mentor, Ohio 44060
Phone: 440 205-1600 Fax: 440 205-1700

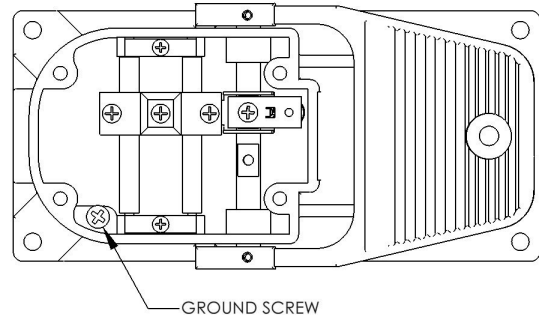


THE SSC CONTROLS COMPANY


G-SERIES INSTALLATION AND MAINTENANCE

G-Series Installation Instructions

Only a qualified electrician should install this foot switch, including proper grounding and installation per local and national electrical codes. The G-Series foot switches are to be installed using a Type 2, 4, and 13 cord grip and UL Listed hard-service or junior hard-service flexible cord suitable for resisting oil and water. Cover screws should be installed using 18-22 in-lb. torque after wiring is installed.



Installation and Maintenance Warning

 DANGER / PELIGRO / DANGER		
HAZARDOUS VOLTAGE Disconnect power before performing any work on this device. Failure to follow this instruction can result in death or serious injury.	TENSION PELIGROSA Desenergice el equipo antes de realizar cualquier trabajo en él. El incumplimiento de esta precaución podrá causar la muerte o esiones serias.	TENSION DANGEREUSE Coupez toute alimentation avant travailler sur cet appareil. Si cette précaution n'est pas respectée, cela entraînera la mort des blessures graves.

Review the Foot Switch Safety Warning before the selection, installation, use, and maintenance of any foot switch. The foot switch safety warning is supplied with each foot switch (contact SSC for additional copies).

Periodic Maintenance for -MA and -AT Models

Every 6 months or 25,000 cycles, apply a strip of grease to the contact surface between the latches and the pedal lever for Maintained and Anti-Trip ("-MA" and "-AT") models. Periodic lubrication of exterior springs using a light oil is also recommended. Check to make sure the product and all parts function properly. Discard and replace any defective product immediately.

Storage and Review of this Notice

This notice should be stored at the point of use of the foot switch and reviewed by each user prior to use. If you have any questions, if any of the above is unclear, or if you would like to request additional copies of this document, please contact The SSC Controls Company.

The SSC Controls Company
 8909 East Avenue Mentor, Ohio 44060
 Phone: 440 205-1600 Fax: 440 205-1700